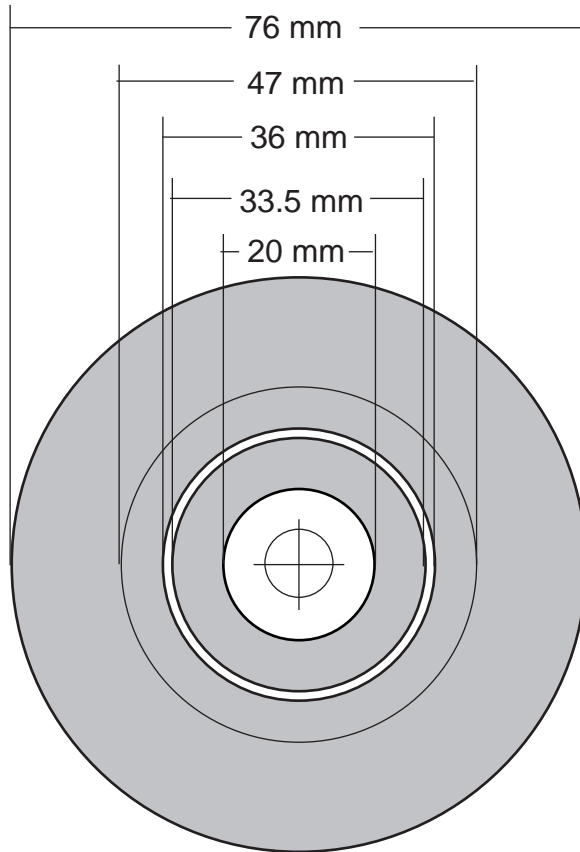


# Mini CD ROM Silkscreen Layout



## Artwork Guidelines

1. NO BLEEDS. Bleeds cannot work with silkscreening.
  2. DO NOT PROVIDE OUTLINES ON THE ARTWORK. All information showing will print.
  3. Registration marks should be positioned as shown above with at least 1" space away from artwork edge.
  4. OneOff Media only uses Pantone Coated colors for spot color work. Other color options are not acceptable. For CMYK work, please make sure all colors are converted to CMYK.
  5. All spot colors MUST have a trap of .5 pts for overlapping colors.
  6. Printing on the mirror band and inside the stacking ring are acceptable, however the client understands that colors may vary from the rest of the CD. If this is not acceptable, color should only be set up within 1.85" diameter and 4.56" diameter of center.
  7. Film specifications for spot color: 85 lpi, film positive, right reading, emulsion up.
  8. Film specifications for CMYK film: 100 lpi, film positive, right reading, emulsion up.
- Screen angles: C-15°, M-75°, Y-0°, K-135° using elliptical dots.